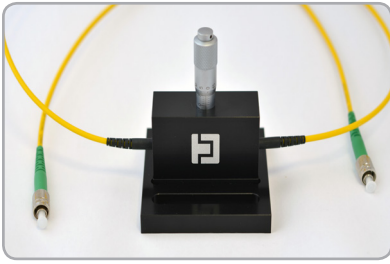
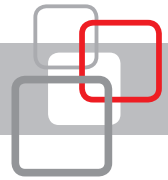


# MANUALLY TUNABLE OPTICAL FILTER



Manually tunable optical filter for manual adjustment of the central wavelength in the area of 1550 nm (C-band). The maximum tunable range is more than 15 nm. The filter is based on the compression of FBG (Fiber Bragg Grating) through the accurate micrometric head which allows fine tuning resolution of 70 pm.

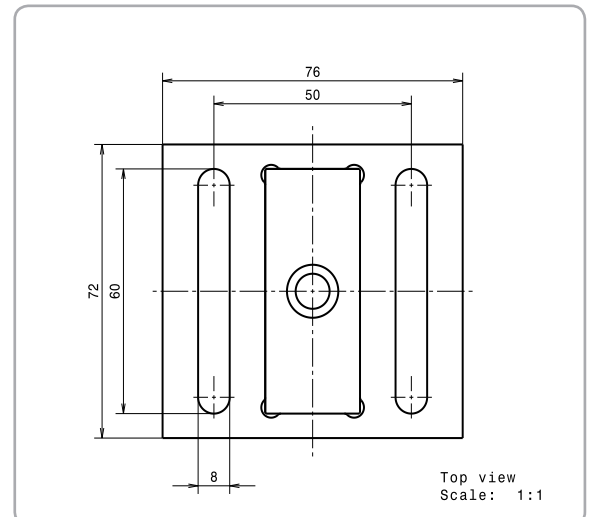
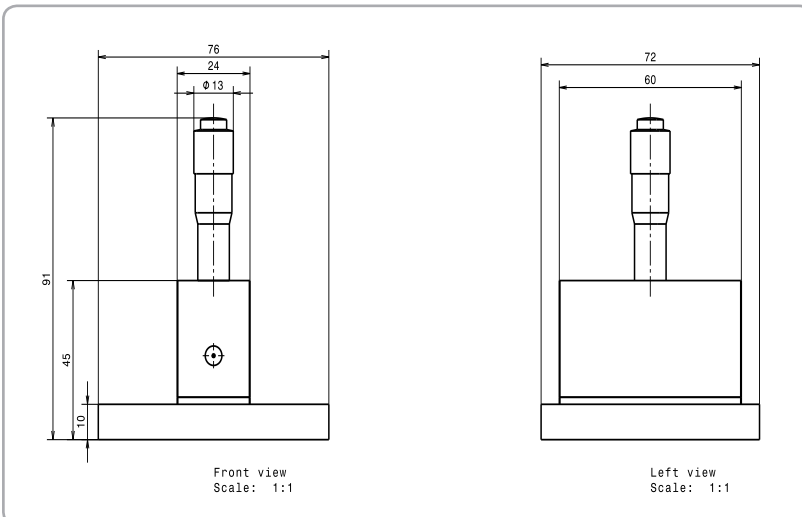
## Application:

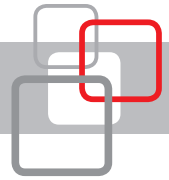
- Wavelength selection from a broadband light source.
- Noise suppression e.g. in EDFA amplifiers and transmission systems with tunable wavelength.
- Telecommunications - channel selection in xWDM systems.
- Designed for laboratory and testing purposes.

OPTICAL PARAMETERS	
Tuning range	> 15 nm
Wavelength	Optional in C-band
FWHM	Optional 0.2 – 0.5 nm ( $\pm 0.05$ nm)
Reflectivity	5 – 90 % ( $\pm 5$ %)
Insertion loss	3.5 dB*
Tuning resolution	70 pm
PDL	< 0.5 dB
Maximum optical input power	> 500 mW
Operational temperature range	10 - 40 °C
Fiber type	SMF G.657.A2
Fiber length	0.5 or 1 m

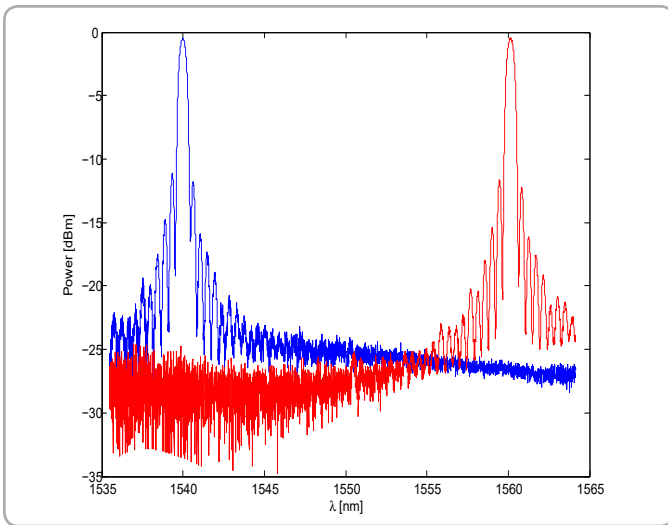
\* Depending on the selected reflectivity

## Mechanical dimensions:

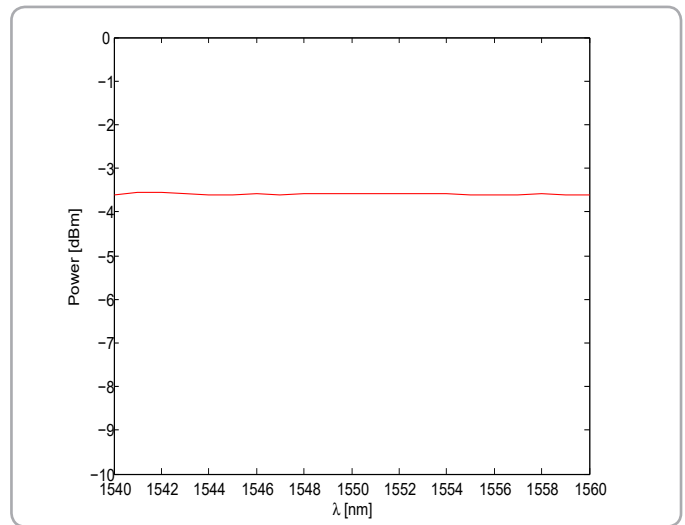




## Optical spectrum:



## Wavelength dependence:



## Order code:

TOF1 - 1550 - 20 -  -  -  -

### Tuning range

- 1 1520 – 1540 nm
- 2 1530 – 1550 nm
- 3 1540 – 1560 nm
- 4 1550 – 1570 nm

### FWHM

- 1 0.2 nm
- 2 0.3 nm
- 3 0.4 nm
- 4 0.5 nm

### Reflectivity

- 1 50 %
- 2 5 – 90 % (customer defined)

### Connector type

- |          |                |
|----------|----------------|
| 1 FC/PC  | 4 LC/PC        |
| 2 FC/APC | 5 LC/APC       |
| 3 SC/PC  | 6 No connector |
| 4 SC/APC |                |

## Additional information:

Do not store the filter in the maximum compressed position, otherwise the opto-mechanical system may be damaged or the tuning range reduced. We recommend to release the filter to default position after finish the work.